

SPIRAL DOUGH KNEADER

| PNC | Model | Modules | Description | Note |
|--------|--------|---------|---------------------------------------|------|
| 602277 | ESK22L | B;D;J | SPIRAL DOUGH KNEADER - 22LT - 2 SPEED | |
| 602283 | DSK22L | A;D;J | SPIRAL DOUGH KNEADER - 22LT - 2 SPEED | |
| | | | | |

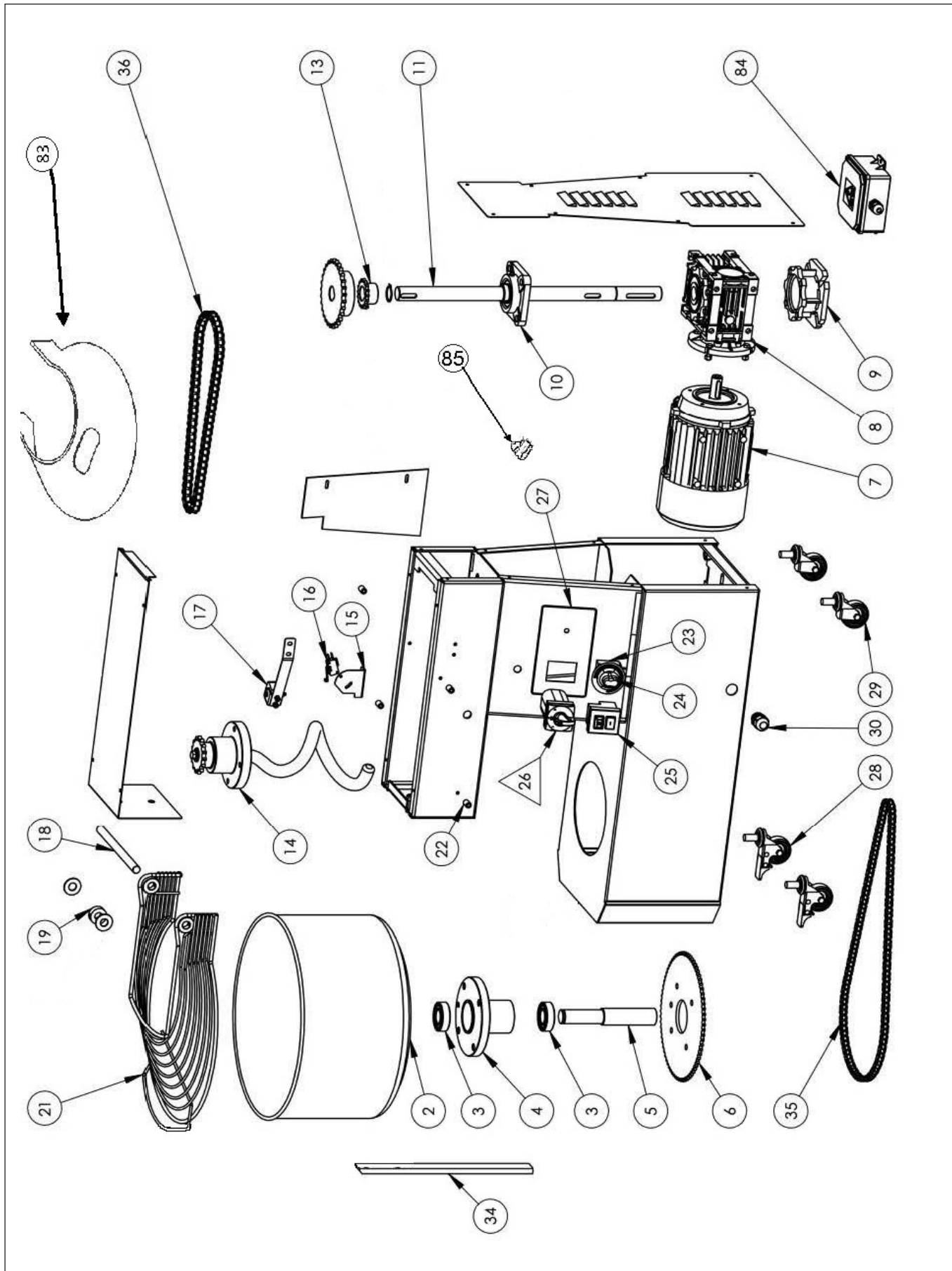
SPIRAL DOUGH KNEADER

Modules classifications

| | |
|----------|------------------------|
| A | DITO SAMA |
| B | ELECTOLUX PROFESSIONAL |
| D | 22 LITRES |
| J | 2 SPEED |

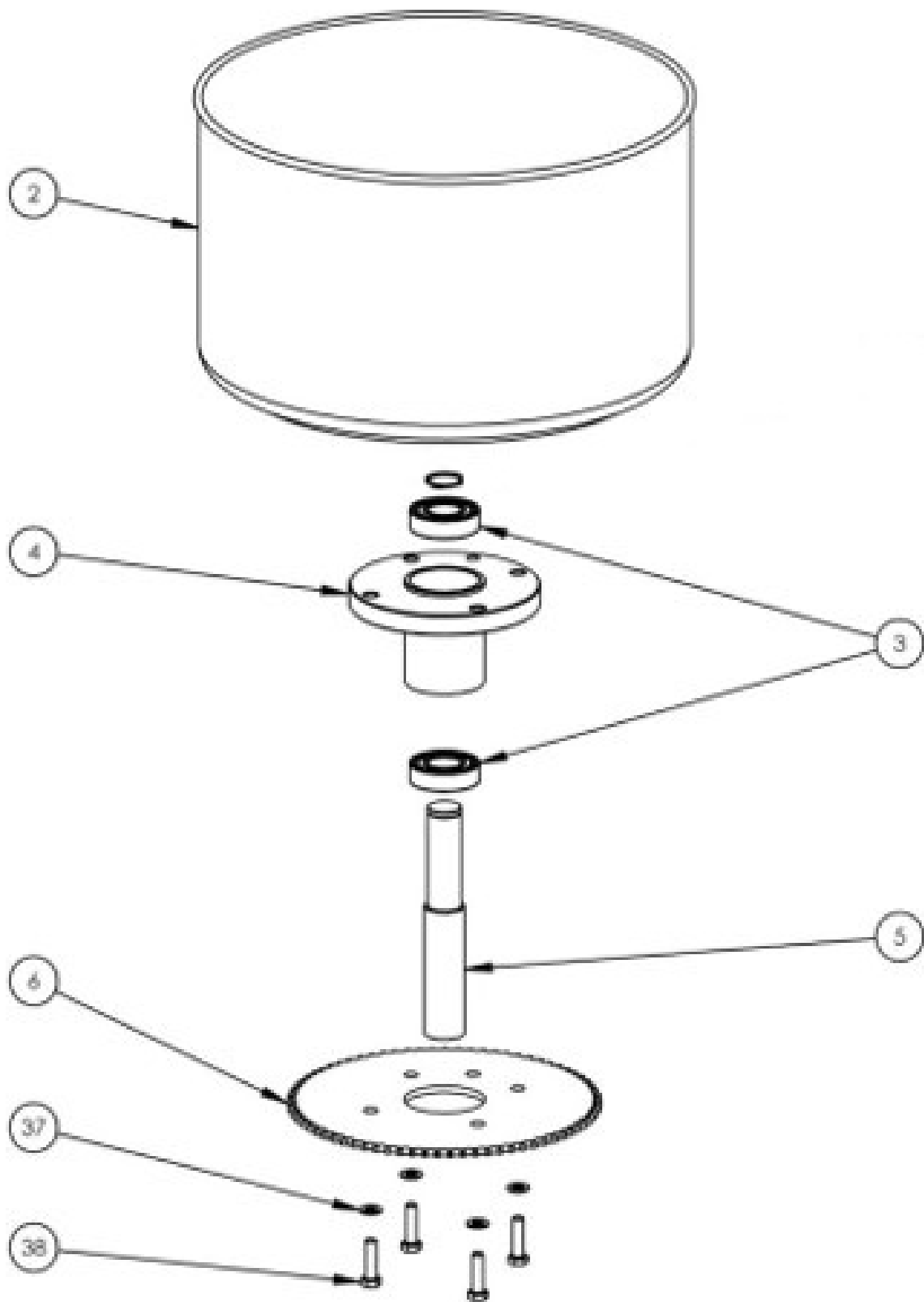
| Pag. | Index |
|-------------|------------------------------------|
| 4 | Exploded view - Structure |
| 5 | Parts list - Structure |
| 6 | Exploded view - Bowl / Mechanism |
| 7 | Parts list - Bowl / Mechanism |
| 8 | Exploded view - Spiral / Mechanism |
| 9 | Parts list - Spiral / Mechanism |
| 10 | Exploded view - Shaft / Mechanism |
| 11 | Parts list - Shaft / Mechanism |
| 12 | Exploded view - Lid |
| 13 | Parts list - Lid |
| 14 | Exploded view - Tensioner |
| 15 | Parts list - Tensioner |
| 16 | Exploded view - Microswitch |
| 17 | Parts list - Microswitch |

SPIRAL DOUGH KNEADER - Exploded view - Structure



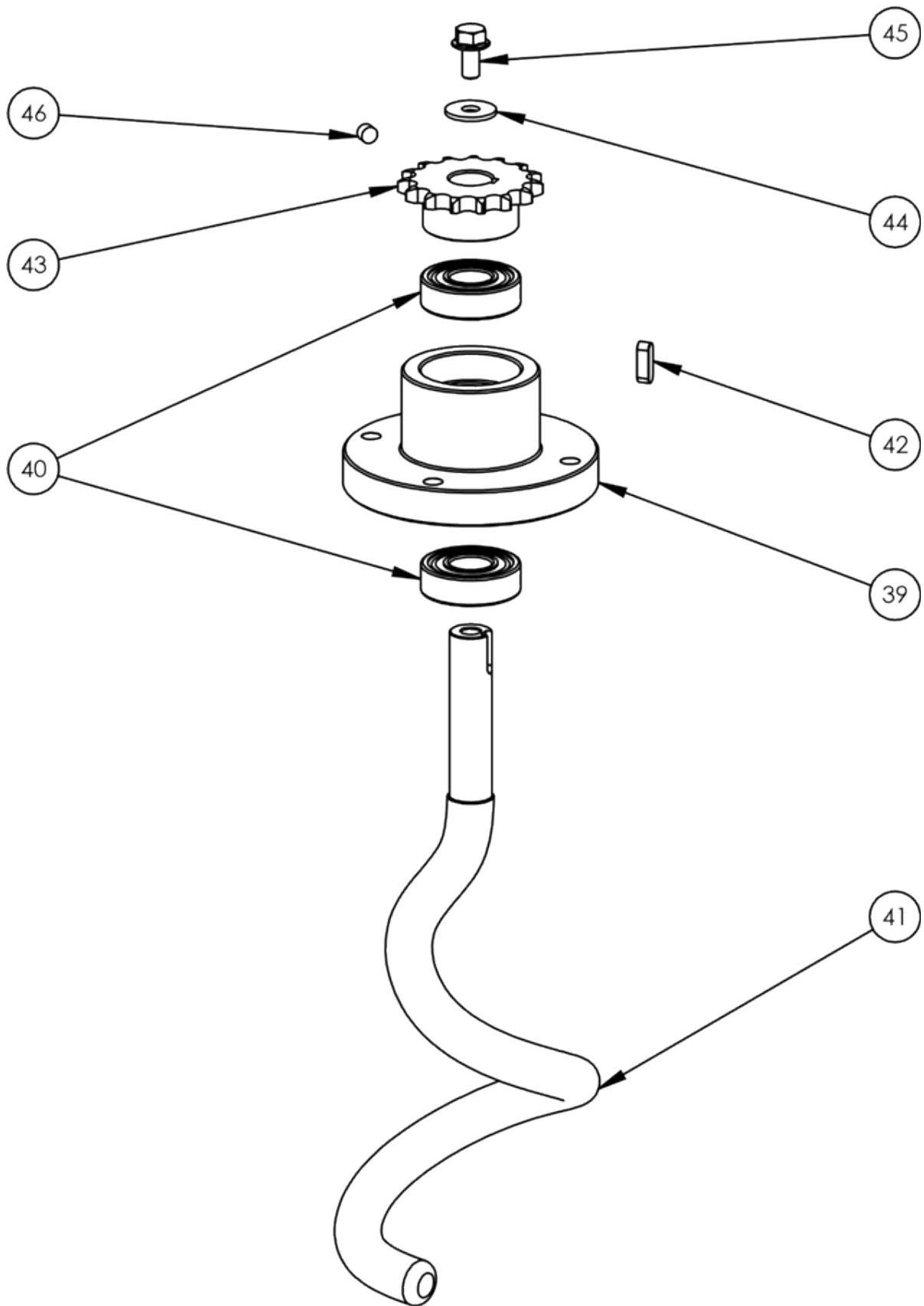
SPIRAL DOUGH KNEADER - Parts list - Structure

| Pos. | | Code | Description | V | W&T | Ref. | Notes | S/N break |
|------|--------|---------------------------|-----------------------------------|---|-----|------|-------|-----------|
| 2 | 0DF232 | CIL00022 | BOWL L22 | | | | | |
| 3 | 0KQ394 | CIL00093 | BEARING 6205 2RS | | X | | | |
| 4 | 0DF233 | CIL00075 | SHARED BOWL SUPPORT | | | | | |
| 5 | 0DF234 | CIL00067 | SHARED BOWL SUPPORT SHAFT | | | | | |
| 6 | 0DF235 | CIL00080 | BOWL CROWN | | | | | |
| 7 | 0DF236 | CIL00048 | MOTOR | X | | | | |
| 8 | 0DF237 | CIL00056 | GEAR BOX | X | | | | |
| 9 | 0DF238 | CIL00059 | REDUCER FLANGE S63 | | X | | | |
| 10 | 0DF239 | CIL00078 | DRIVE SHAFT SUPPORT | | X | | | |
| 11 | 0DF240 | CIL00062 | DRIVE SHAFT L22 | | | | | |
| 13 | 0DF242 | CIL00088 | BOWL DRIVE PINION | | X | | | |
| 14 | 0DF243 | CIL00141 | SPIRAL ASSEMBLY L22 | | X | | | |
| 15 | 0DF244 | CIL00115 | MICROSWITCH BRACKET | | | | | |
| 16 | 0DF203 | CIL00113 | MICROSWITCH D3V-166-1C5 | X | | | | |
| 17 | 0DF204 | CIL00123 | CHAIN TENSIONER ASSEMBLY | | | | | |
| 18 | 0DF245 | CIL00069 | LID SHAFT | | | | | |
| 19 | 0DF206 | CIL00038 | MICROSWITCH HUB | | | | | |
| 21 | 0DF246 | CIL00033 | LID L22 | | | | | |
| 22 | 0DF209 | CIL00104 | PLASTIC STOP SPACER 10 X 15 | | | | | |
| 23 | 0DF247 | CIL00112 | TEMPOMATIC TIMER M1 130 M10 SM-T | | | | | |
| 24 | 0DF248 | MANOP005 | NON-GRAD. BLACK KNOB | | | | | |
| 25 | 0DF249 | CIL00111 | BUTTON 0-1 400V | | | | | |
| 26 | 0DF250 | CIL00116 | SPEED SELECTOR | | | | | |
| 27 | 0DF251 | CIL00144 | SCREEN-PRINTED ADHESIVE LABEL | | | | | |
| 28 | 0DF211 | CIL00106 | WHEEL WITH BRAKE D50 M12 | | | | | |
| 29 | 0DF212 | CIL00107 | UNBRAKED WHEEL D50 M12 | | | | | |
| 30 | 0DF213 | CIL00119 | PLASTIC CABLE GLAND M20x1.5 | | | | | |
| 34 | 0DF255 | CIL00041 | DOUGH REMOVER PIN L22 | | | | | |
| 35 | 0DF256 | CIL00100 | BOWL CHAIN L22 | | X | | | |
| 36 | 0DF317 | CIL00095 | SPIRAL CHAIN | | | | | |
| 83 | 0DF258 | CIL00265 | PLASTIC LID COVER L22 | | X | | | |
| 84 | 0DF316 | CIL00240 | THREE PHASE ELECTRICAL SYSTEM BOX | X | | | | |
| 85 | 0DF375 | CIL00274 + CIL00270 | FUSE 4A + FUSE HOLDER | X | | | | |



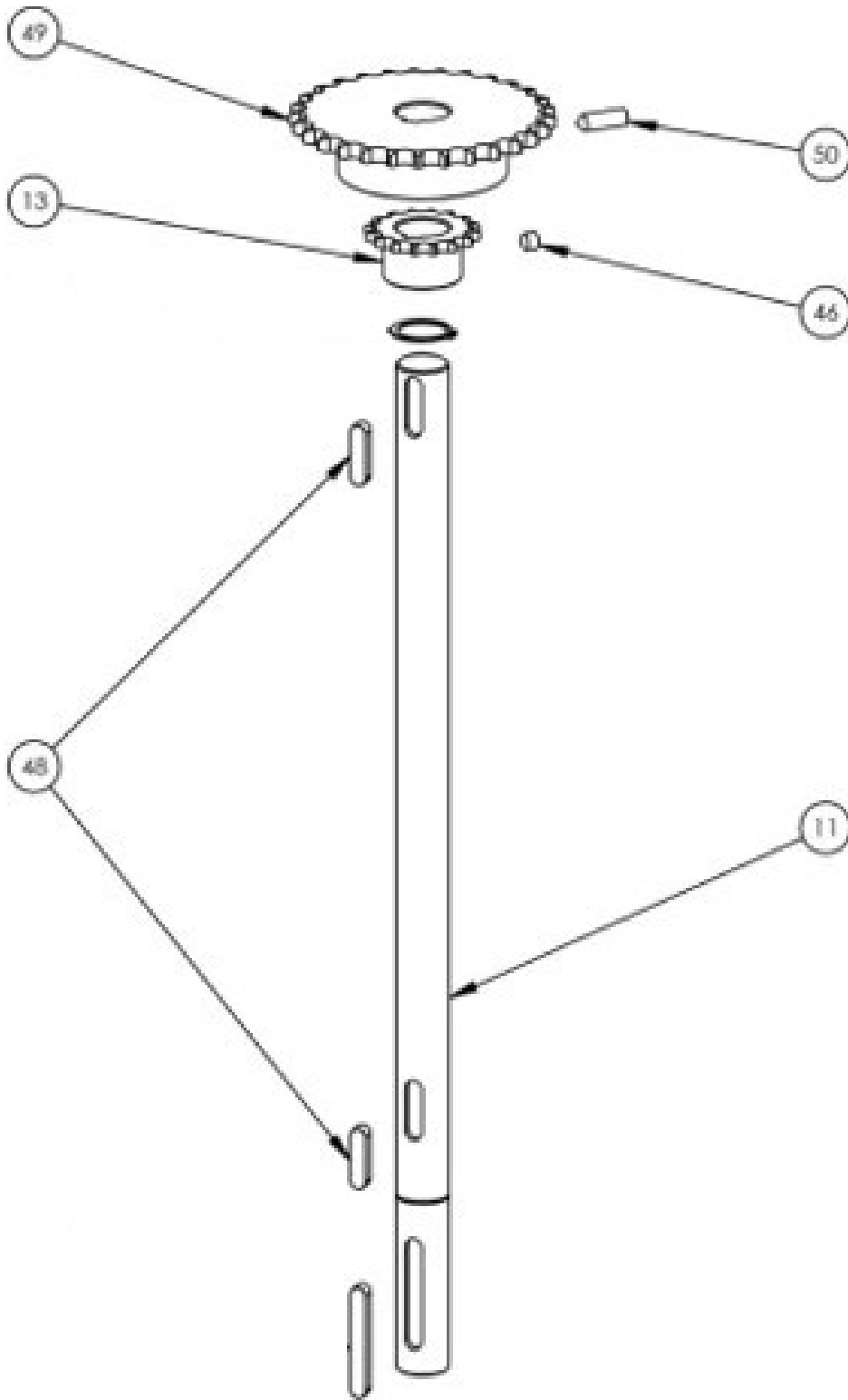
SPIRAL DOUGH KNEADER - Parts list - Bowl / Mechanism

| Pos. | | Code | Description | V | W&T | Ref. | Notes | S/N break |
|------|--------|----------|---------------------------|---|-----|------|-------|-----------|
| 2 | 0DF232 | CIL00022 | BOWL L22 | | | | | |
| 3 | 0KQ394 | CIL00093 | BEARING 6205 2RS | | X | | | |
| 4 | 0DF233 | CIL00075 | SHARED BOWL SUPPORT | | | | | |
| 5 | 0DF234 | CIL00067 | BOWL SUPPORT SHAFT | | | | | |
| 6 | 0DF235 | CIL00080 | BOWL CROWN | | X | | | |
| 37 | 0KQ524 | BIL00035 | FLAT WASHER 8 ZN | | | | | |
| 38 | 0D2329 | BIL00034 | HEX HEAD SCREW M8 x 30 ZN | | | | | |
| | | | | | | | | |
| | | | | | | | | |



SPIRAL DOUGH KNEADER - Parts list - Spiral / Mechanism

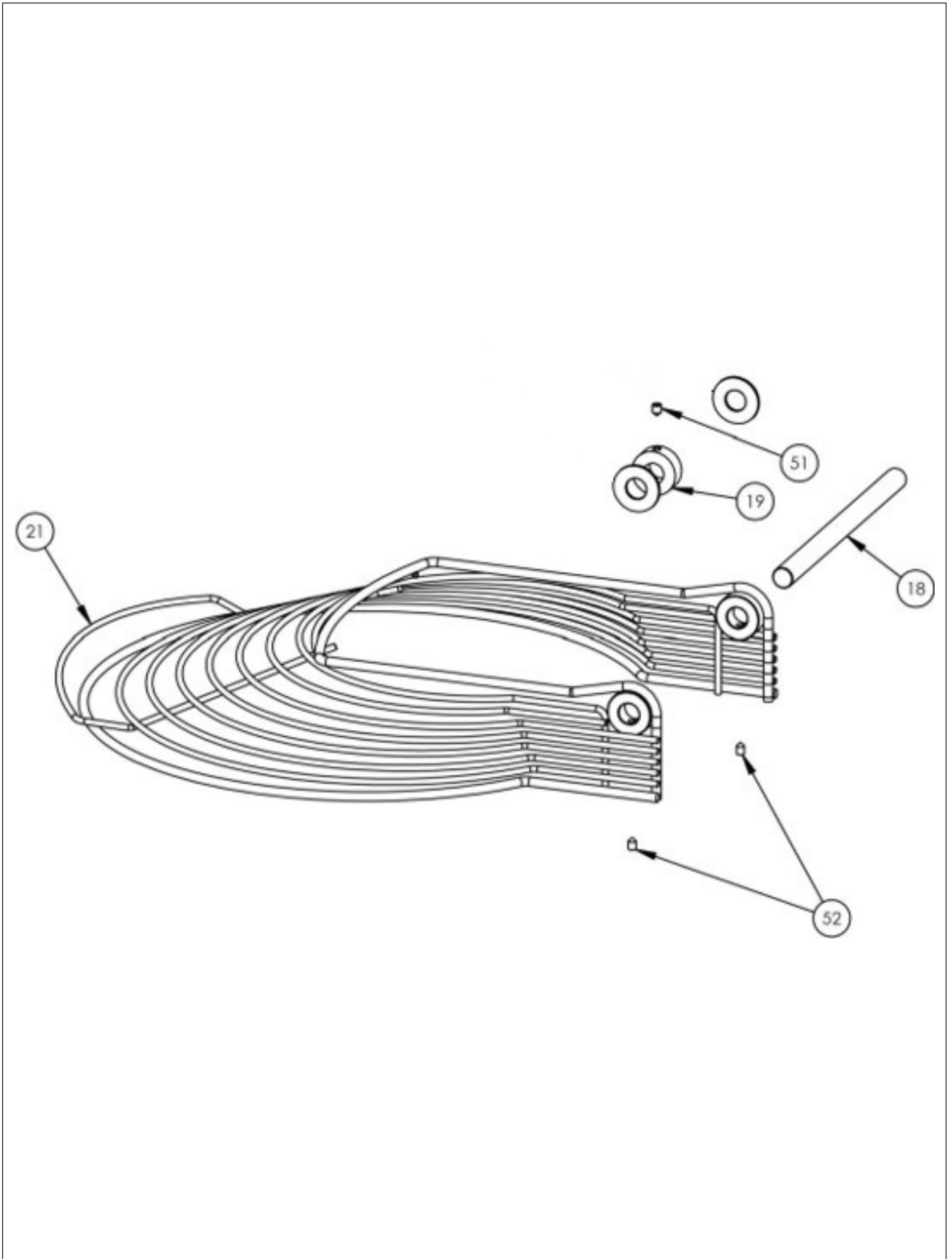
| Pos. | Code | Item | Description | V | W&T | Ref. | Notes | S/N break |
|-------------|-------------|-------------|--------------------------------------|----------|----------------|-------------|--------------|------------------|
| 39 | ODF259 | CIL00072 | SPIRAL SUPPORT | | | | | |
| 40 | OD0035 | CIL00091 | BEARING 6202 2RS | | X | | | |
| 41 | ODF260 | CIL00028 | SPIRAL L22 | | | | | |
| 42 | OKQ486 | BIL00005 | ROLL PIN 6 x 30 | | | | | |
| 43 | ODF261 | CIL00083 | SPIRAL PINION | | X | | | |
| 44 | OD0630 | BIL00036 | FLAT WASHER 8 x 24 ZN | | | | | |
| 45 | OD0498 | BIL00030 | HEX HEAD SCREW M8 x 16 ZN | | | | | |
| 46 | OD0559 | BIL00020 | M8x8 POINT GRUB SCREW UNPROCESSED | | | | | |
| | | | | | | | | |
| | | | | | | | | |



SPIRAL DOUGH KNEADER - Parts list - Shaft / Mechanism

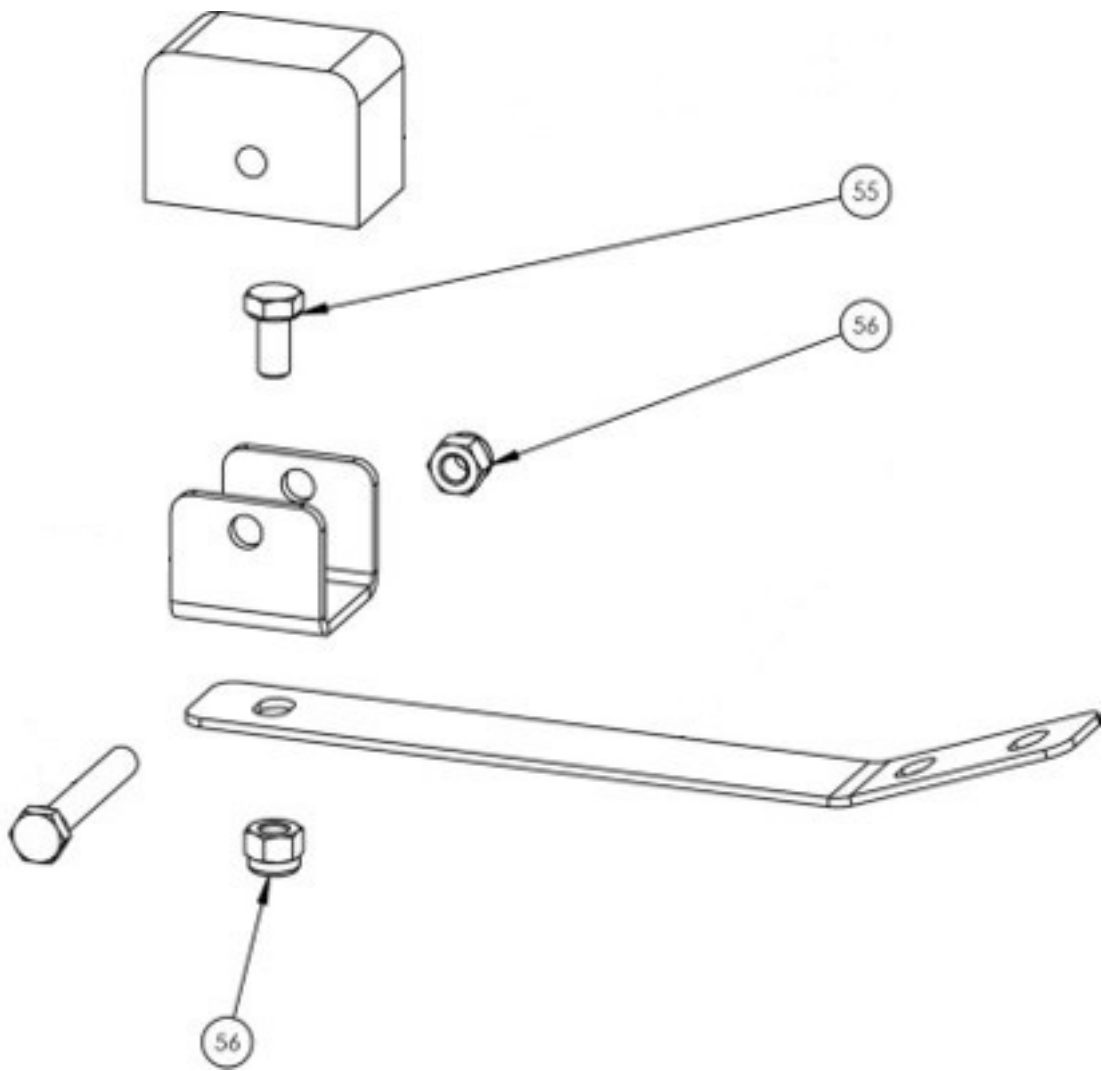
| Pos. | Code | Item | Description | V | W&T | Ref. | Notes | S/N break |
|------|--------|----------|---|---|-----|------|-------|-----------|
| 11 | 0DF240 | CIL00062 | DRIVE SHAFT L22 | | | | | |
| 13 | 0DF242 | CIL00088 | BOWL DRIVE PINION | | X | | | |
| 46 | 0D0559 | BIL00020 | M8x8 POINT GRUB SCREW UNPROCESSED | | | | | |
| 48 | 0KQ487 | BIL00002 | INTERLOCKING TAB 8 x 30 | | | | | |
| 49 | 0DF263 | CIL00137 | SPIRAL DRIVE PINION | | X | | | |
| 50 | 0D0553 | BIL00021 | M8 x 25 POINT GRUB SCREW UNPROCESSED | | | | | |
| | | | | | | | | |
| | | | | | | | | |

SPIRAL DOUGH KNEADER - Exploded view - Lid



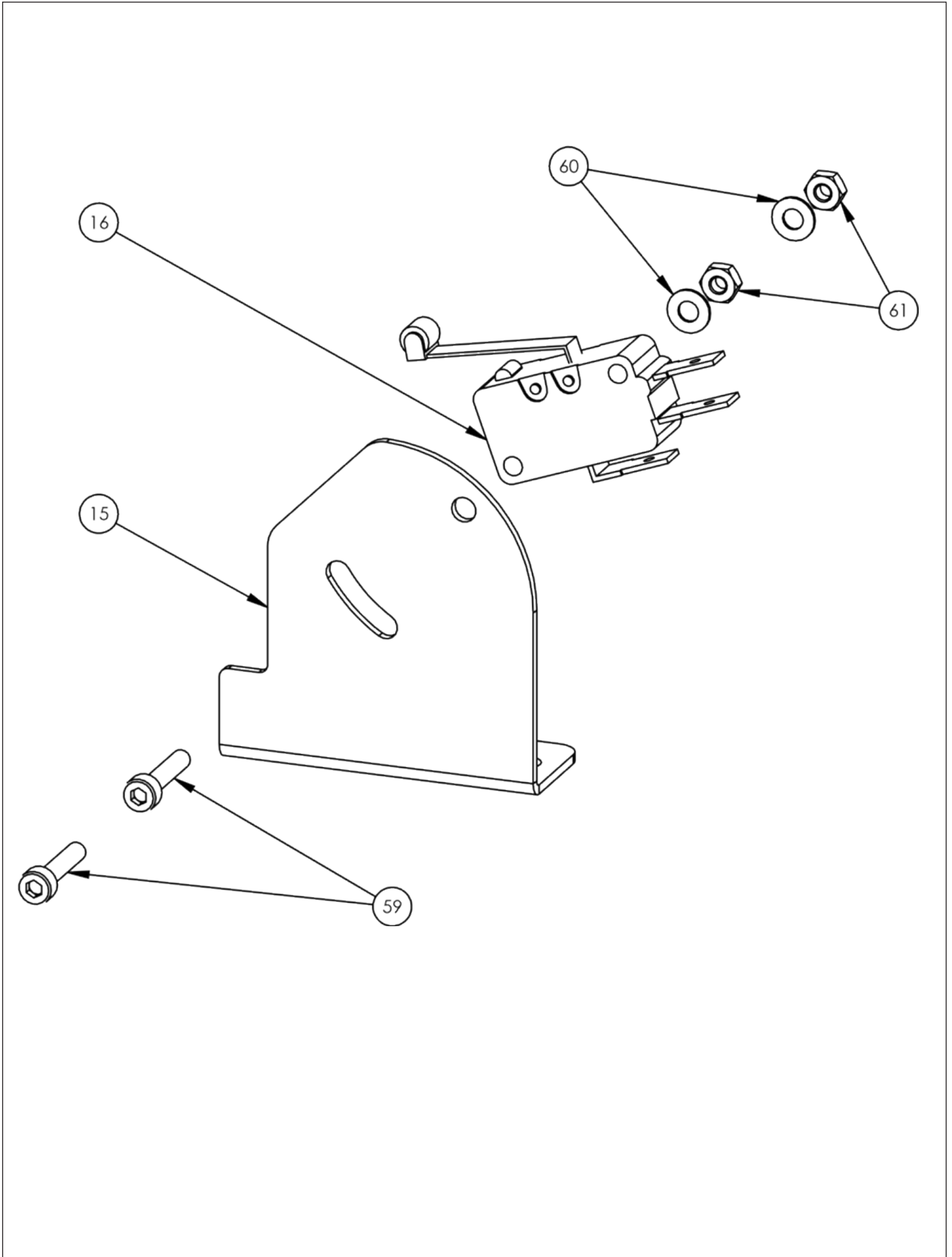
SPIRAL DOUGH KNEADER - Parts list - Lid

| Pos. | Code | Item | Description | V | W&T | Ref. | Notes | S/N break |
|------|--------|----------|----------------------------|---|-----|------|-------|-----------|
| 18 | 0DF245 | CIL00069 | LID SHAFT | | | | | |
| 19 | 0DF206 | CIL00038 | MICROSWITCH HUB | | | | | |
| 21 | 0DF246 | CIL00033 | LID L22 | | | | | |
| 51 | 0D2320 | BIL00019 | POINT GRUB SCREW M6 x 8 ZN | | | | | |
| 52 | 0D2109 | BIL00018 | POINT GRUB SCREW M5 x 8 ZN | | | | | |
| | | | | | | | | |
| | | | | | | | | |



SPIRAL DOUGH KNEADER - Parts list - Tensioner

| Pos. | Code | Item | Description | V | W&T | Ref. | Notes | S/N break |
|------|--------|----------|---------------------------|---|-----|------|-------|-----------|
| 55 | 0D0537 | BIL00013 | HEX HEAD SCREW M5 x 10 ZN | | | | | |
| 56 | 0D0500 | BIL00010 | SELF-LOCKING NUT M5 ZN | | | | | |
| | | | | | | | | |
| | | | | | | | | |



SPIRAL DOUGH KNEADER - Parts list - Microswitch

| Pos. | Code | Item | Description | V | W&T | Ref. | Notes | S/N break |
|------|--------|----------|---------------------------|---|-----|------|-------|-----------|
| 15 | 0DF244 | CIL00115 | LID MICROSWITCH BRACKET | | | | | |
| 16 | 0DF203 | CIL00113 | MICROSWITCH D3V | X | | | | |
| 59 | 0DF230 | BIL00015 | SOCKET HEAD SCREW M3x16A2 | | | | | |
| 60 | 0D5620 | BIL00043 | FLAT WASHER 3 x 7 x 0.5 | | | | | |
| 61 | 033987 | BIL00016 | NUT M3 A2 | | | | | |
| | | | | | | | | |
| | | | | | | | | |

CE